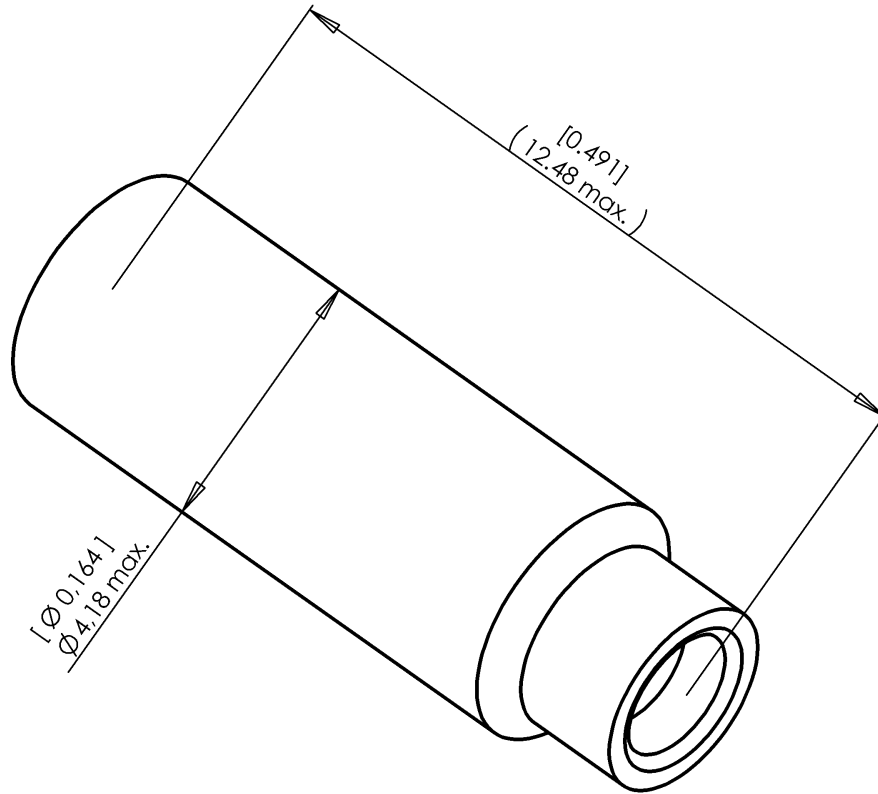


CRIMPING FERRULE FOR Ø 1,6 MM CABLE

Packaging
100Series
LCIssue
04 jan 05Page
1 / 1

Original dimensions in mm [inch]

GENERAL

- Compatible with LC connectors
- Suitable for use with cable size Ø 1,6 mm
- Compatible with Bellcore GR 326 specification
- Brass, nickel plated
- Crimping tool hexagon 3,40 mm [0,134]